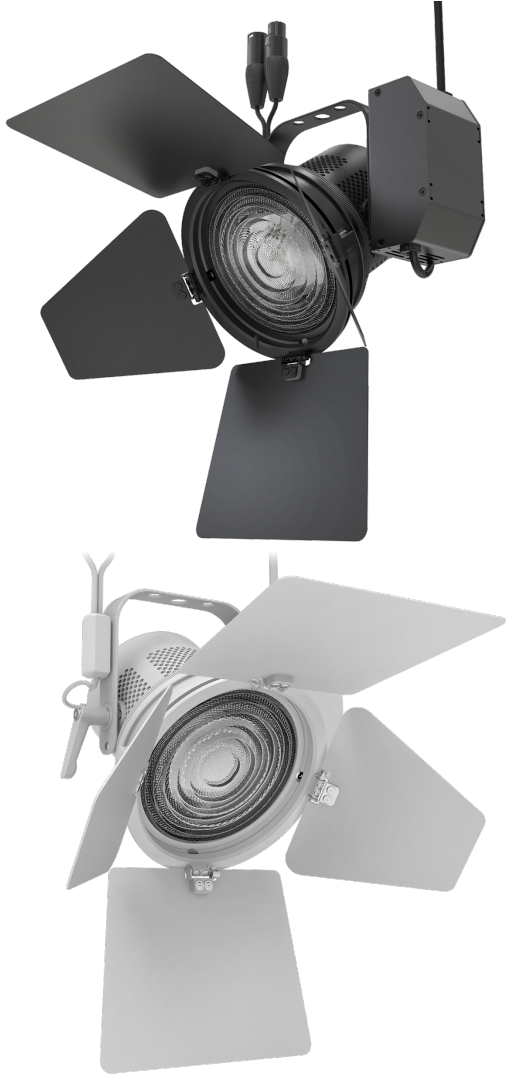


PROJECT		QUANTITY	
---------	--	----------	--

P3F Fresnel Light (Clamp)

90W LED/ 15°- 45°



- Cine-Grade Light Quality
- Point-Source LED
- DMX Controllable
- 90W Power Draw
- Compact (< 8" of Vertical Space)

ORDERING GUIDE

CXP3F - - - **CLP** - **PSV** -

Mode

- CLR** All Modes
- EZ** All EZ Modes
- RGB** RGB Mode Only
- CCT** Tunable CCT Mode Only
- 3200** Fixed 3200K
- 5600** Fixed 5600K

Finish

- WH** White
- BK** Black

Mount

- CLP** Clamp Mount

Power Supply & Control

- PSV** Power Supply

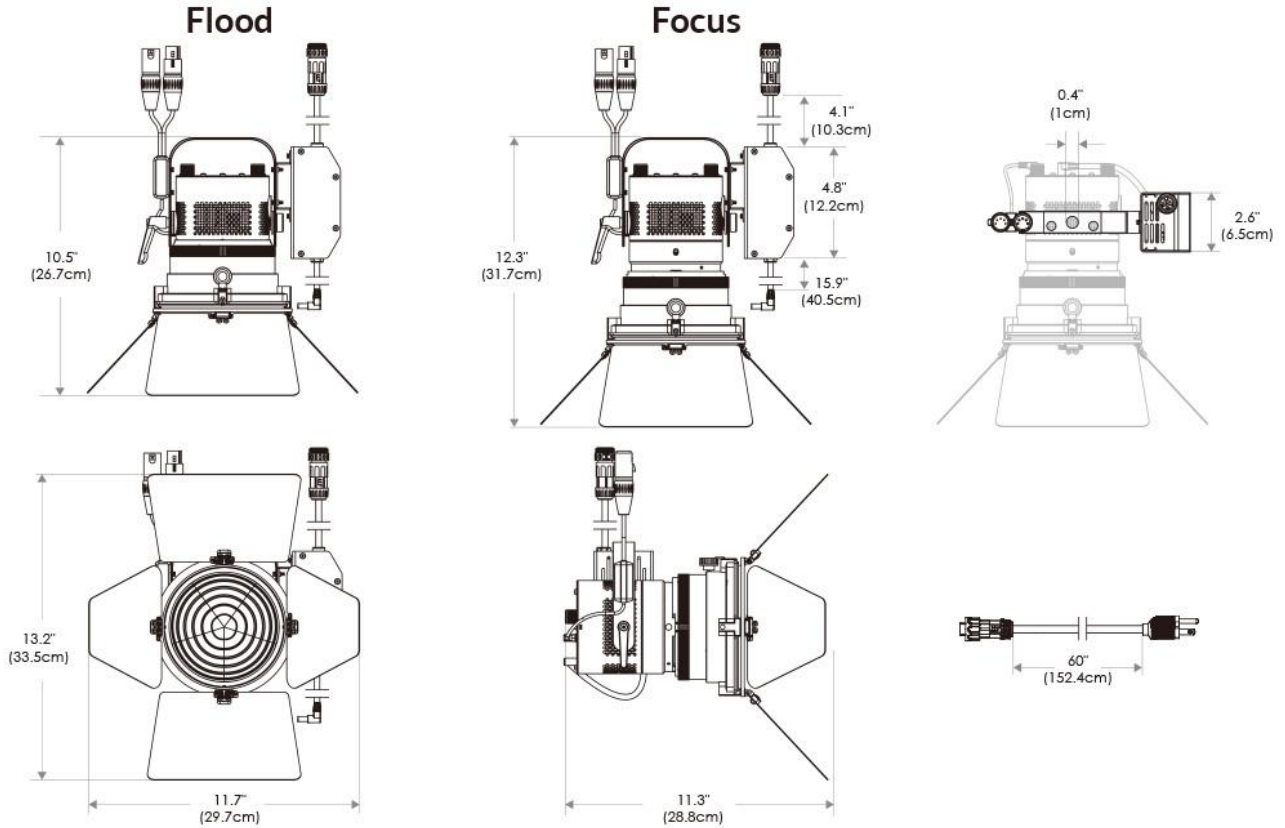
Plug/Connection

- US** US 120V
- EU** EU 220V

SPECIFICATIONS

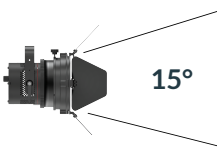
Beam Angle	15°- 45°
CRI / TLCI	95/90 typical (in CCT Mode of 2800K-6500K)
Dimming	100% - 0% flicker free
Power Draw	90W max
AC Input	100 - 240V AC, 50 - 60Hz
Remote Control	DMX 512
Cooling	Fan Cooled
Acoustic Noise	23 dBA
Operating Temp.	32 - 104°F (0 - 40°C)
Weight (Fixture + Power Supply)	4.4lb / 2.0kg

MECHANICAL FIGURES



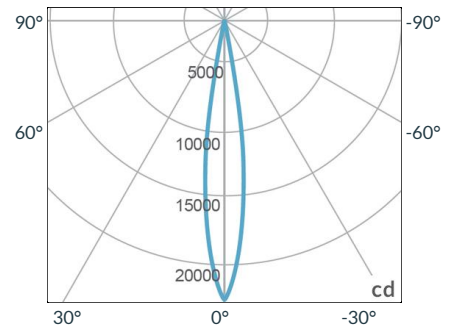
PHOTOMETRIC DATA

Focus

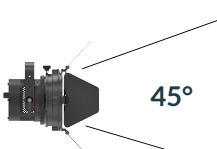


Distance		3' (~0.9 m)	10' (~3.0 m)	15' (~4.6 m)
@3200K	fc	2522	237	119
	lux	27147	2552	1281
@5600K	fc	2606	245	123
	lux	28051	2638	1324
Beam Diameter		Ø 2.3' (~0.2m)	Ø 7.5' (~0.8m)	Ø 11.3' (~1.2m)

Beam Angle : 15°

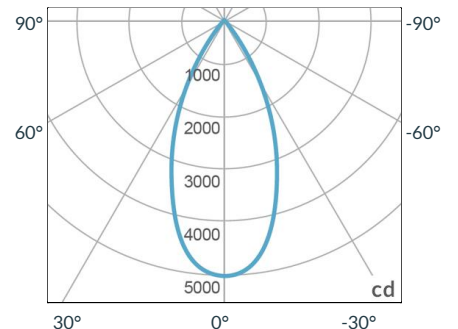


Flood



Distance		3' (~0.7 m)	10' (~2.6 m)	15' (~3.4 m)
@3200K	fc	529	53	30
	lux	5695	571	323
@5600K	fc	564	55	31
	lux	6071	593	334
Beam Diameter		Ø 2.3' (~0.7m)	Ø 8.6' (~2.6m)	Ø 11.3' (~3.4m)

Beam Angle : 45°



MODE DESCRIPTION

Mode Description	Available Modes
- CLR	All Modes (8 bit and 16 bit)
- EZ	All EZ Modes (8 bit) (EZ CCT / EZ HSI / EZ RGBW / EZ RGB / EZ ICTHS / EZ ICT RGBW / EZ 3200K / EZ 5600K)
- RGB	EZ RGB (8 bit)
- CCT	EZ CCT (8 bit)
- 3200	EZ 3200K (8 bit)
- 5600	EZ 5600K (8 bit)

See Downloads portion of webpage for full DMX profiles